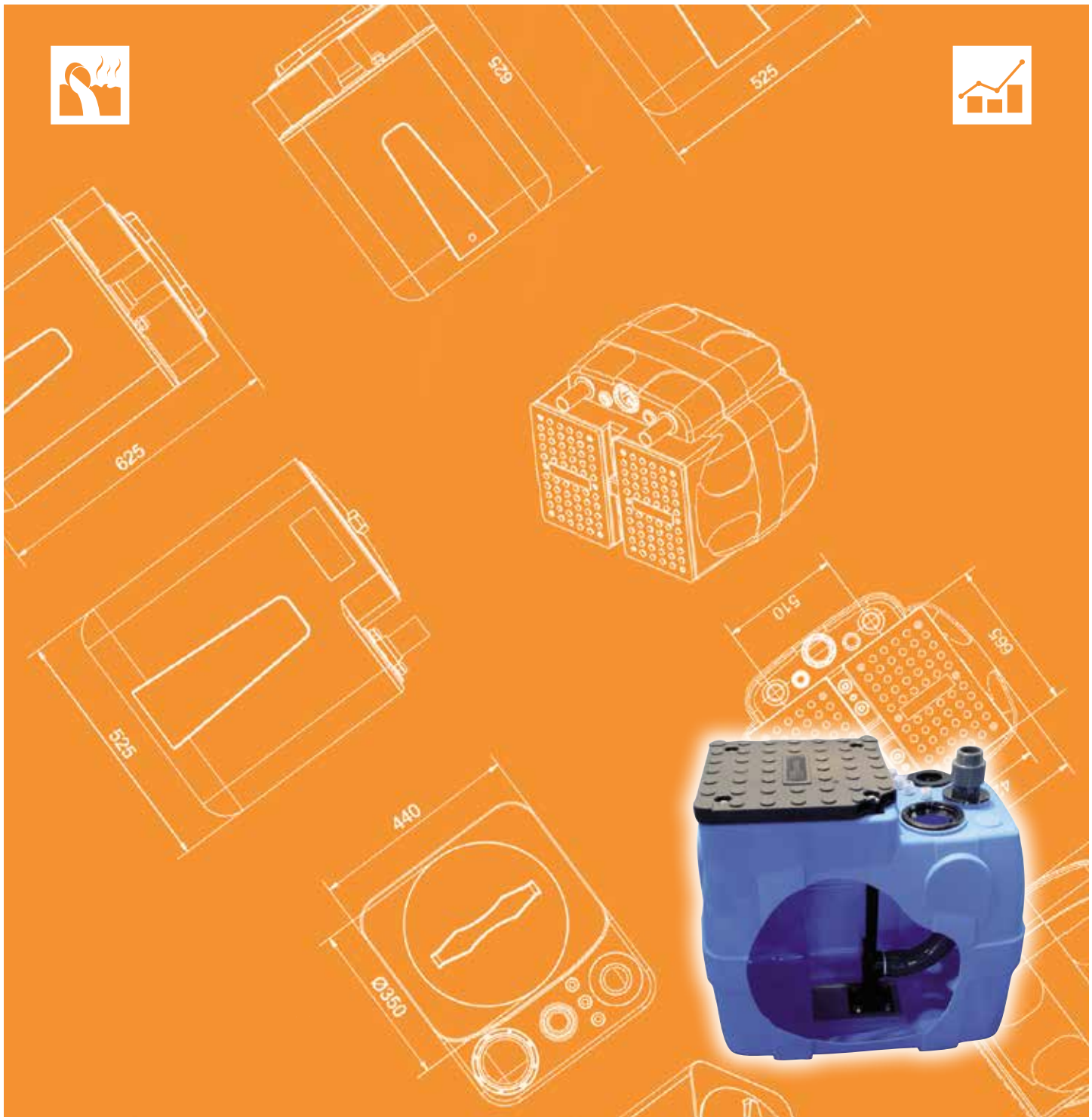




Japanese Technology since 1912

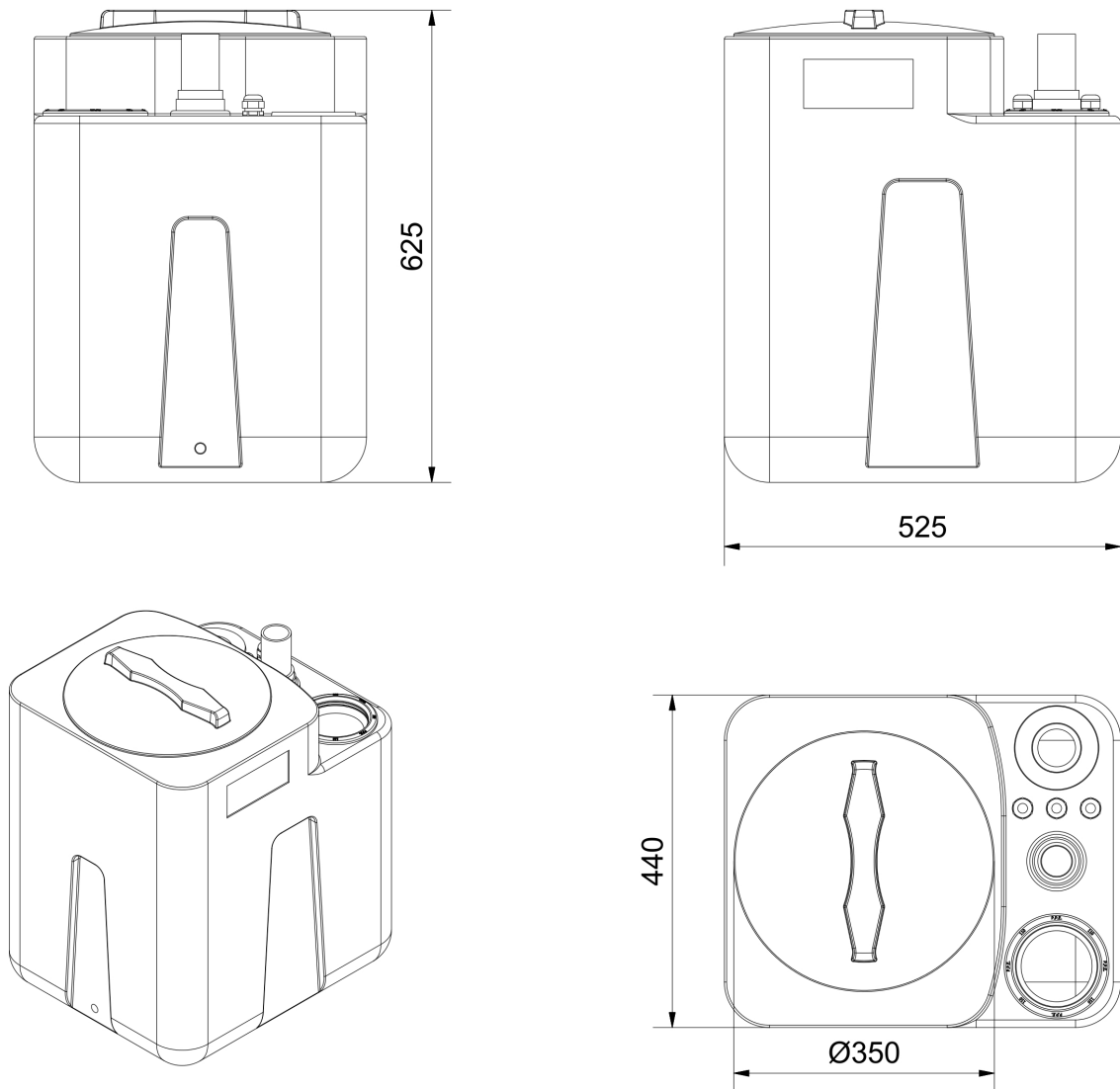
D-TANK

Data Book

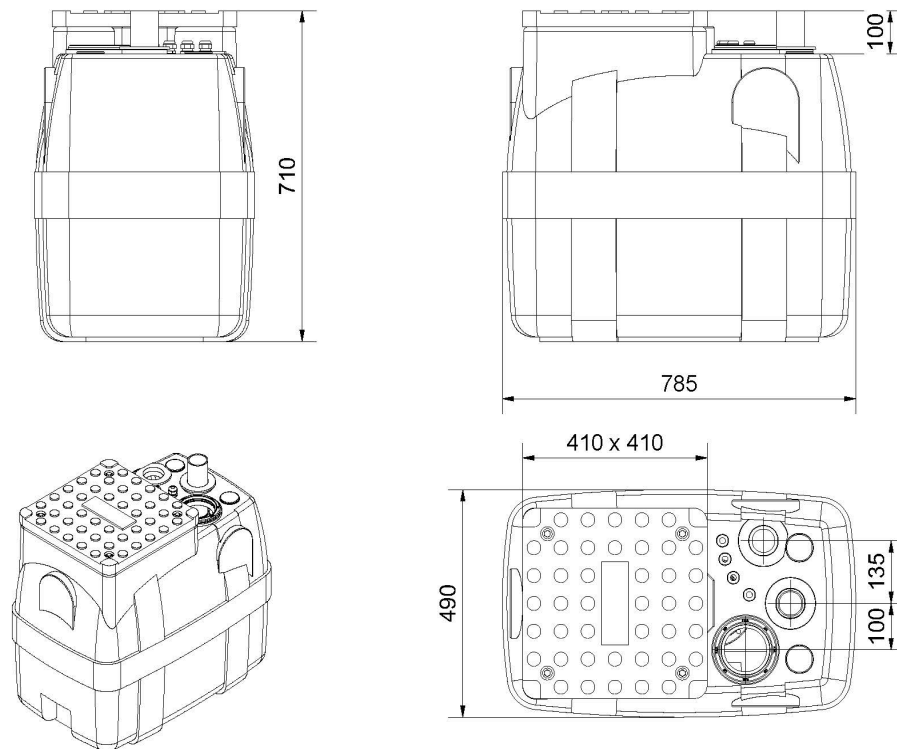


	Page
- SPECIFICATIONS	200
- DIMENSIONS AND WEIGHT	300
D – TANK 100	300
D – TANK 200	301
D – TANK 600	302
- SPARE KIT	400
SPARE KIT 100	400
SPARE KIT 200	401
SPARE KIT 600	402
- ACCESSORY	400
PLATE 600E	401

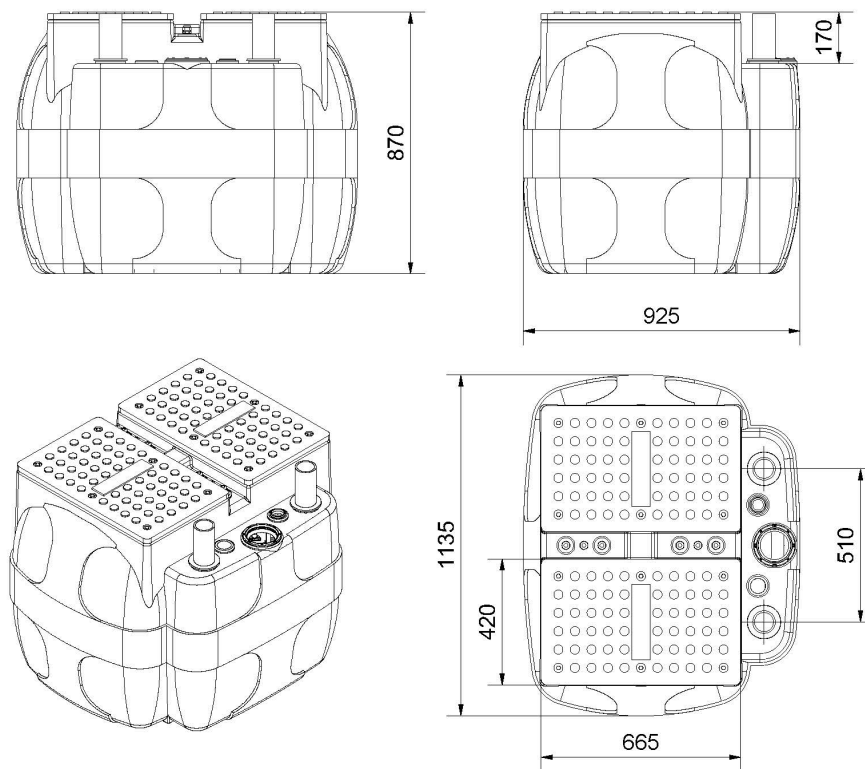
MODEL		D-TANK 100	D-TANK 200	D-TANK 600
Liquid	Type of liquid	Water for domestic use		
Handled	Max temperature [°C]	60		
Tank capacity [l]		100	200	600
Pipe Connection	Inlet	DN 110		
	Outlet	DN50	DN63	
Material	Casing	Polyethylene		
	Gaskets	EPDM (cover), NBR		
	Piping	PVC		
Kit included	D-TANK E (equipped)	Bend, Pipes in bag (double in D-TANK 600) Coupling foot (1,5"-2" GAS)–Bend–Pipes(double in D-TANK 600)		
Number of pumps that can be installed		1		2
Standard compliance		UNI-EN 12050 - 2		
Note		D-TANK 200 (E) / D-TANK 600 (E) LOAD UP TO 40kgf		

D – TANK 100 / 100 E

Type	Weight [kg]
D – TANK 100	9,2
D – TANK 100 E	9,5

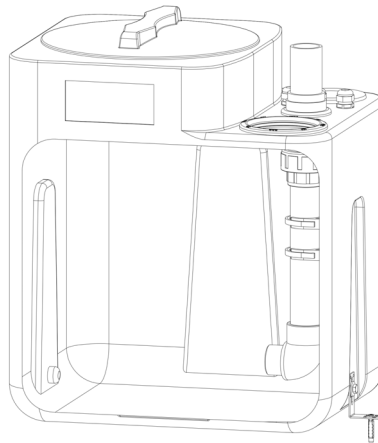
D – TANK 200 / 200 E

Type	Weight [kg]
D – TANK 200	13
D – TANK 200 E	23

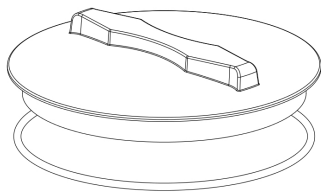
D – TANK 600 / 600 E

Type	Weight [kg]
D – TANK 600	33
D – TANK 600 E	53

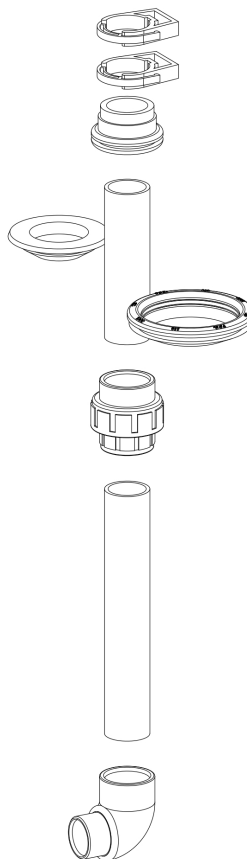
SPARE KIT 100



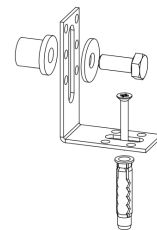
COVER SPARE KIT
100



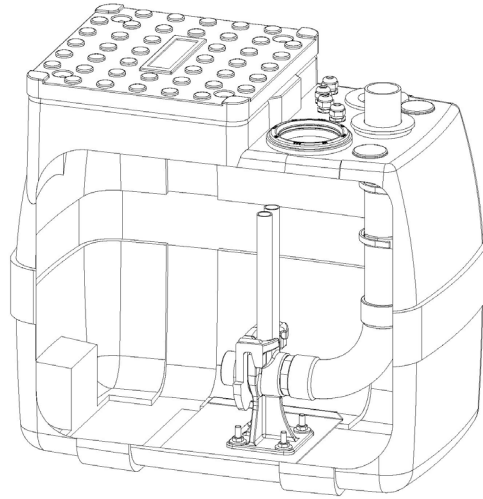
PIPING SPARE KIT
100



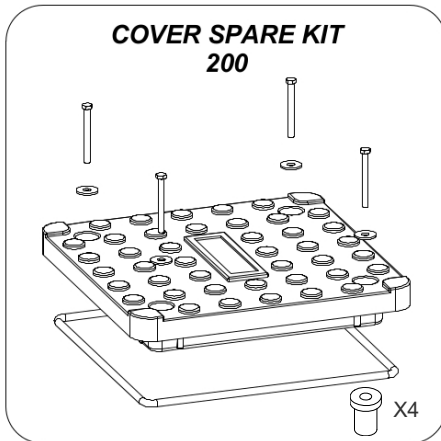
FIXING SPARE KIT
100



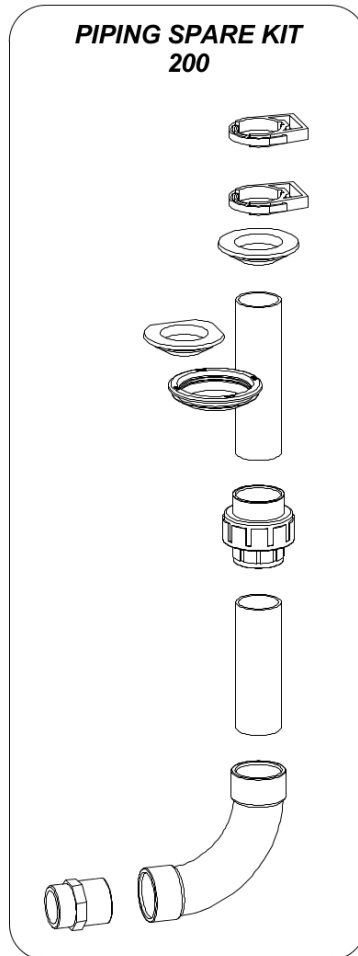
SPARE KIT 200



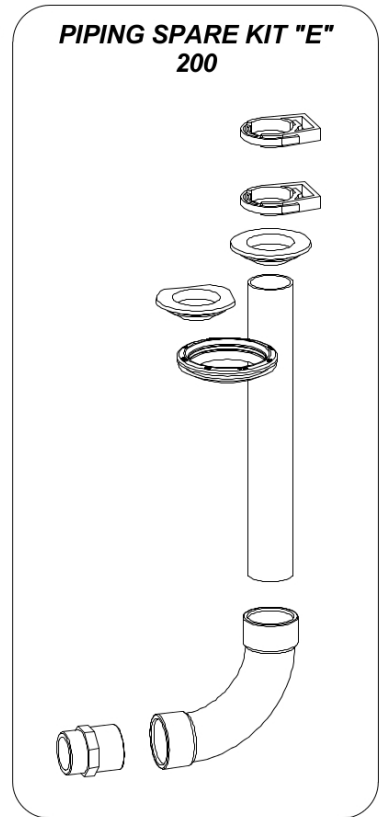
COVER SPARE KIT
200



PIPING SPARE KIT
200



PIPING SPARE KIT "E"
200



SPARE KIT 600

